

**Serie | 2, Built-in Oven, Width 60 cm
HBN301E2Z**



The built-in oven with special hot air function: you achieve perfect baking and roasting results on up to two levels simultaneously.

Technical data

Built-in / Free-standing :	Built-in
Integrated Cleaning system :	Hydrolytic
Required niche size for installation (HxWxD) :	575-597 x 560-568 x 550
Dimensions :	595 x 595 x 548
Dimensions of the packed product (HxWxD) (mm) :	680 x 680 x 650
Control Panel Material :	Metal
Door Material :	Glass
Net weight (kg) :	31.682
Usable volume of cavity (l) :	66
Cooking method :	3D hot air, Bottom heat, Conventional heat, Full width variable grill, Hot air grilling
Number of interior lights :	1
Approval certificates :	, KEMA, TSE
Length electrical supply cord (cm) :	100
Interior Lights - cavity 1 :	1
Broil Element Wattages cavity 1 (W) :	2800
Energy efficiency rating :	A
Energy consumption per cycle conventional (2010/30/EC) :	0.98
Energy consumption per cycle forced air convection (2010/30/EC) :	0.82
Energy efficiency index (2010/30/EC) :	98.8
Connection Rating (W) :	3600
Current (A) :	16
Voltage (V) :	220-240
Frequency (Hz) :	50
Plug type :	South Africa plug
Energy input :	Electric
Approval certificates :	, KEMA, TSE
Required cutout/niche size for installation (in) :	x x
Dimensions of the packed product (in) :	26.77 x 25.59 x 26.77
Net weight (lbs) :	70.000
Gross weight (lbs) :	75.000
Length electrical supply cord (cm) :	100
Net weight (kg) :	31.682
Gross weight (kg) :	33.9

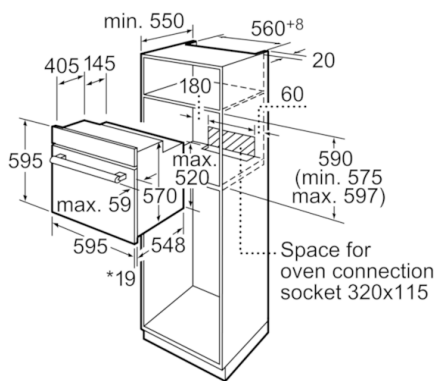


Serie | 2, Built-in Oven, Width 60 cm HBN301E2Z

The built-in oven with special hot air function: you achieve perfect baking and roasting results on up to two levels simultaneously.

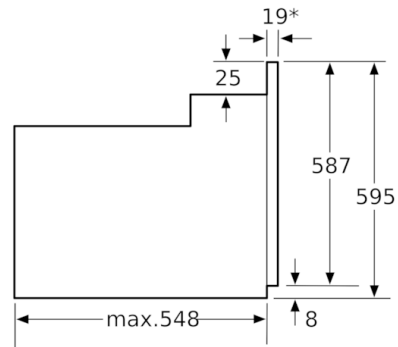
- Heating system multifunction (5 heating modes: 3D hot air (obsolete), Conventional top and bottom heat, Bottom heat, Hot air grilling, Variable full width grill)
- Fast heat
- Temperature range 50 °C - 270 °C
- Cavity volume: 66 l
- Interior light
- Enamelled cavity (brown)
- Oven cavity with removable rack supports
- 1 x combination grid, 1 x enamel baking tray, 1 x universal pan
- Integral cooling fan
- Removable oven door for easy-cleaning
- Total connected load electric: 3.6 KW
- Appliance dimension (hxwxd): 595 mm x 595 mm x 548 mm
- Cable with plug (1.00 m)
- Energy efficiency rating (acc. EU Nr. 65/2014): Energy consumption per cycle in conventional mode: 0.98 kWh
Energy consumption per cycle in fan-forced convection mode: 0.82 kWh
Number of cavities: 1 Heat source: electrical
Cavity volume: 66 l

Serie | 2, Built-in Oven, Width 60 cm
HBN301E2Z



*20 mm for metal fascias

Measurements in mm



* 20 mm for metal fascias

Dimensions in mm