

iQ700, Built-in Microwave Oven, 60 x 60 cm, Stainless steel HM656GBS1



Shorten your cooking time thanks to fast preheat and coolStart.

- ✓ 4D hotAir: flexible choice of shelf.
- ✓ varioSpeed: reduce cooking times by up to 50%.
- ✓ cookControl Plus: guaranteed success for numerous dishes.
- ✓ fastPreheat: reach the required baking temperature sooner; coolStart: no need to preheat the oven for deep frozen food.
- ✓ TFT Touchdisplay: user-friendly menu navigation with good display features.

Features

Technical data

Type of micro-wave oven : MW-Combi
 Type of control : Electronic
 Color / Material Front : Stainless steel
 Dimensions : 595 x 594 x 548 mm
 Cavity dimensions : 357.0 x 480 x 392.0 mm
 Length electrical supply cord : 120 cm
 Net weight : 41.3 kg
 Gross weight : 43.7 kg
 Maximum micro-wave power : 800 W
 Number of Power Levels : 5
 Turntable : No
 Cavity material : Enamelled steel
 Door opening : Handle
 Clock : Yes
 Included accessories : 1 x enamel baking tray, 1 x combination grid, 1 x universal pan
 Main colour of product : Stainless steel
 Height of the product : 595 mm
 Width of the appliance : 594 mm
 Depth of the product : 548 mm
 Maximum micro-wave power : 800 W
 Connection Rating : 3600 W
 Fuse protection : 16 A
 Voltage : 220-240 V
 Frequency : 60; 50 Hz
 Plug type : GARDY plug w/ earthing
 Color / Material Front : Stainless steel
 Required cutout/niche size for installation (in) : x x
 Dimensions of the packed product : 26.37 x 26.37 x 26.77
 Net weight : 91.000 lbs
 Gross weight : 96.000 lbs
 Included accessories : 1 x enamel baking tray, 1 x combination grid, 1 x universal pan

Included accessories

- 1 x enamel baking tray
- 1 x combination grid
- 1 x universal pan

Optional accessories

- HZ327000 Baking stone



iQ700, Built-in Microwave Oven, 60 x 60 cm, Stainless steel HM656GBS1

Features

Type of oven / heating system:

- Oven with microwave with 13 heating methods:
- 4D hot air, Hot Air-Eco, Conventional cooking, Conventional heat ECO, hot air grilling, Full width grill, Half width grill, Intensive hot air, Deep-frozen food special, Bottom heat, low temperature cooking, Plate warming setting, Hold warm setting
- Additional heating methods with microwave: microwave, combi microwave variable
- Cavity volume: 67 l
-

Cleaning:

- Ecolyse features: ceiling, back panel, side liners
- ecolyse program

Comfort:

- Drop down door, soft closing, soft opening
-
- Supporting systems: Dish categories
- LED clock and automatic programmer
- Rapid heating-up
- LED light, Independent oven interior light button

Accessory:

- 1 x universal pan, 1 x enamel baking tray, 1 x combination grid

Comfort and Safety:

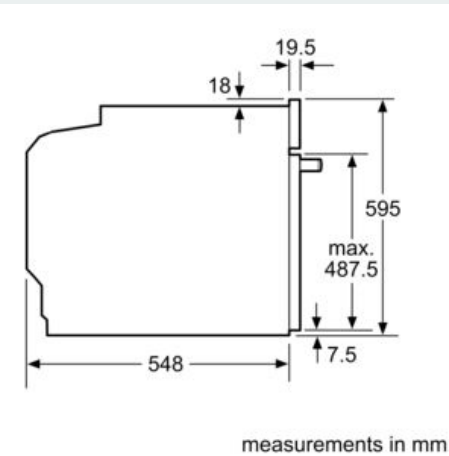
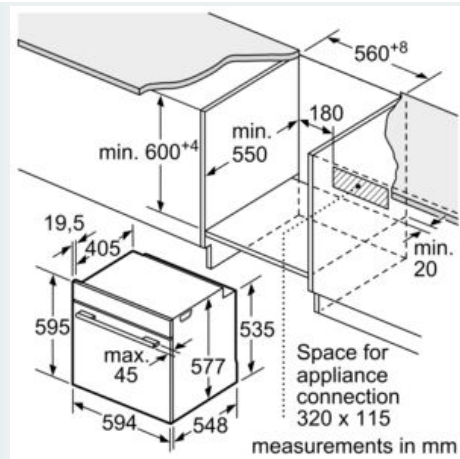
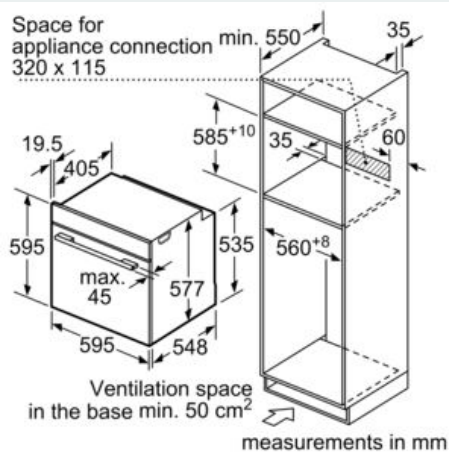
- Child safety button
- Automatic safety switch off residual heat indicator start button door contact switch

Technical Info:

- Total connected load electric: 3.6 KW
- Appliance dimension (hxwx): 595 mm x 594 mm x 548 mm
-
- "Please reference the built-in dimensions provided in the installation drawing"
- Intelligent inverter technology: maximum output power will be regulated to 600 W when used in longer operation
- Temperature range 30 °C - 300 °C
-
- Number of shelf levels: 5 PC
- Rotary Control
- Bar handle
- coolStart
- Maximum window temperature 40° C
- We recommend you to choose complementary products within IQ700, in order to assure an optimal design combination of your Built-In appliances.

**iQ700, Built-in Microwave Oven, 60 x 60 cm, Stainless steel
HM656GBS1**

Dimensioned drawings



If the appliance will be installed underneath a hob, the following worktop thicknesses (including substructure if necessary) must be taken into account.

Hob type	min. worktop thickness	
	fitted	flush
Induction hob	37 mm	38 mm
Full surface Induction hob	47 mm	48 mm
Gas hob	30 mm	38 mm
Electric hob	27 mm	30 mm