

**Serie | 2, Frontloader Washing Machine, 7 kg, 1000 rpm
WAJ2017SZA**



Automatic washing machine with EcoSilence Drive™: quiet operation and durability that you can rely on.

- **EcoSilence Drive™:** extremely energy-efficient and quiet in operation with a 10-year warranty.
- **SpeedPerfect:** perfectly clean in up to 65% less time.
- **VarioDrum:** especially gentle and efficient washing thanks to a unique drum structure.
- Easy-to-use LED display with touch control and many additional functions like start delay and remaining time.
- **Dark Colors:** program for gentle cleaning of dark-coloured laundry, such as jeans.

Technical data

Built-in / Free-standing :	Free-standing
Door hinge :	Left
Color / Material body :	silver inox
Length electrical supply cord (cm) :	160
:	848.00
Height of the product (mm) :	848
Dimensions of the product (mm) :	848 x 598 x 590
Wheels :	No
Net weight (kg) :	68.118
Drum volume (l) :	63
Main colour of product :	silver inox
Door Frame :	silver inox
Noise level washing (dB(A) re 1 pW) :	54
Connection Rating (W) :	2300
Current (A) :	10
Voltage (V) :	220-240
Frequency (Hz) :	50
Energy Star Qualified :	No
Cord Included :	No
Plug type :	South Africa plug
Length of drain hose (in) :	59.05
Length of supply hose (in) :	59.05
Appliance Dimensions (h x w x d) (inches) :	x x
Dimensions of the packed product (in) :	34.01 x 25.39 x 26.37
Net weight (lbs) :	150.000
Gross weight (lbs) :	152.000
Length of drain hose :	150.00
Length of supply hose :	150.00
Dimensions of the packed product (HxWxD) (mm) :	864 x 670 x 645
Gross weight (kg) :	68.9
Connection Rating (W) :	2300
Current (A) :	10
Voltage (V) :	220-240
Frequency (Hz) :	50
Approval certificates :	CE, VDE
Water protection system :	Multiple water protection
Number of Options :	4
Spin speed options :	Variable
Digital countdown indicator :	Yes
Drying progress indicator :	LED-display



Serie | 2, Frontloader Washing Machine, 7 kg, 1000 rpm WAJ2017SZA

Automatic washing machine with EcoSilence Drive™: quiet operation and durability that you can rely on.

- Ferrite-BLDC
- BLDC with warranty

Engine power/Consumption

- Capacity: 7 kg
- Energy Efficiency Class: A+++
- Energy consumption :139 kWh per year, based on 220 standard washing cycles
- Energy consumption:standard 60 °C cotton programme 0.85 kWh full load and 0.55 kWh partial load and 40 °C cotton programme 0.34 kWh partial load
- Weighted power consumption off-mode / left-on mode: 0.12 W / 0.5 W
- Water consumption 9900 litres per year, based on 220 standard washing cycles
- C spin class
- Maximum spin speed: 1000 rpm
Remaining moisture: 62 %
- Cottons60°C+buttonEcoPerfect and Cottons40°C +buttonEcoPerfect are the standard washing programmes to which the information in the label relates. These programmes are suitable to clean normally soiled cotton laundry and are the most efficient programmes in terms of combined energy and water consumption.
- Programme time:60 °C cotton programme 225 min at full load 210 min at partial load and 40 °C cotton programme 210 min partial load
- Programme time:60 °C cotton programme 225 min at full load 210 min at partial load and 40 °C cotton programme 210 min partial load
- Noise level spinning:72dB (A) re 1 pW:

Programmes

Options

- VarioPerfect: time- or energy optimized programs with perfect wash performance
- varioSpeed: Up to 65% reduced washing cycle
- Touch control buttons

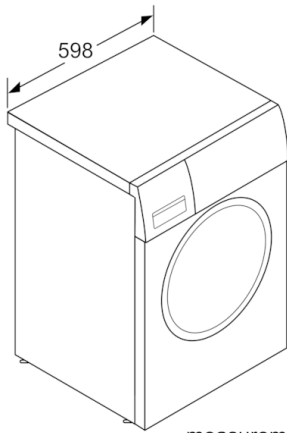
Comfort and Safety

- Reload function: Be flexible in adding laundry items even after start of the wash cycle.
- Reload Function: Stop the already running washing machine to add any forgotten items of laundry to the drum.
- waveDrum
- Multiple water protection
- Large display for programme progress indication, temperature, spin speed, remaining time, 24 h end time delay and load recommendation
- Large display for temperature, spin speed, remaining time, 24 h end time delay and load recommendation
- Fully electronic control dial for all wash- and special programs
- AntiVibration Design: more stability and quietness
- anti-vibration Design: more stability and quietness
- 3D AquaSpa wash system with cascade for faster water penetration
- Recommended Load
- Loading introduction
- Foam detection system
- Safeguard monitoring system adjusts load distribution
- easy clean
- Child Lock
- Buzzer
- Metal door catch
- magnet with pull-open latch

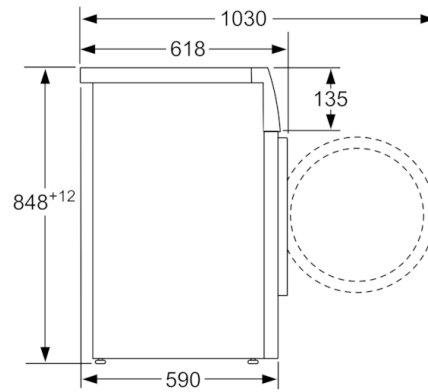
General Information

- Dimensions (H x W x D): 84.8 x 59.8 x 59 cm
- Slide-Under

**Serie | 2, Frontloader Washing Machine, 7
kg, 1000 rpm
WAJ2017SZA**



measurements in mm



measurements in mm