

**Series 8, Built-in Oven, 60 x 60 cm,
Stainless steel
HBG634BS1**



Included accessories

1 x enamel baking tray
1 x combination grid
1 x universal pan

- **4D Hot Air:** even heat distribution for perfect results – on any level.
- **Cleaning Assistance:** less cleaning effort thanks to the new cleaning option, which can be especially used for cleaning of light soiling.
- **EcoClean Direct:** almost no cleaning is necessary thanks to a special coating of the rear wall that automatically absorbs grime.
- **TFT display control:** easy-to-use thanks to the control ring with full text and symbols.
- **Drop Down door with SoftOpen and SoftClose:** the oven door opens and closes gently and quietly

Technical data

Gross weight : 37.6 kg
Color / Material Front : Stainless steel
Built-in / Free-standing : Built-in
Integrated Cleaning system : catalytic partial, Hydrolytic
Min. required niche size for installation (HxWxD) : 585-595 x 560-568 x 550 mm
Dimensions : 595 x 594 x 548 mm
Dimensions of the packed product (HxWxD) : 670 x 680 x 670 mm
Control Panel Material : Stainless steel
Door Material : Glass
Net weight : 35.2 kg
Usable volume of cavity : 71 l
Number of interior lights : 1
Length electrical supply cord : 120 cm
Interior Lights - cavity 1 : 1
Pull-out system : Accessory
Clock function : Alarm, Off, On
Included accessories : 1 x enamel baking tray, 1 x combination grid, 1 x universal pan
Broil Element Wattages cavity 1 : 2800 W
Convection Element Wattages cavity 1 : 2200 W
Energy efficiency rating : A+
Energy consumption per cycle conventional (2010/30/EC) : 0.87 kWh/cycle
Energy consumption per cycle forced air convection (2010/30/EC) : 0.69 kWh/cycle
Energy efficiency index (2010/30/EC) : 81.2 %
Connection Rating : 3600 W
Fuse protection : 16 A
Voltage : 220-240 V
Frequency : 50; 60 Hz
Plug type : Gardy plug w/ earthing
Color / Material Front : Stainless steel
Alternative colors available : HBG634BB1, HBG634BW1
Energy input : Electric
Required cutout/niche size for installation (in) : x x
Dimensions of the packed product : 26.37 x 26.37 x 26.77
Net weight : 78.000 lbs
Gross weight : 83.000 lbs
Length electrical supply cord : 120 cm
Net weight : 35.2 kg
Included accessories : 1 x enamel baking tray, 1 x combination grid, 1 x universal pan



Series 8, Built-in Oven, 60 x 60 cm, Stainless steel HBG634BS1

Type of oven / heating system:

- Oven with 13 heating methods:
4D hot air, Hot Air-Eco, Conventional top and bottom heat, Conventional heat ECO, Hot air grilling, Variable full width grill, Half width grill, Pizza setting, Bottom heat, low temperature cooking, Defrost setting, Plate warming, Hold warm
- Cavity volume: 71 l

Cleaning:

- Ecolyse features: back panel
- Drop down door, soft closing, soft opening
- Electronic clock
- Rapid heating-up
- Halogen interior lighting, Switch for oven illumination

Accessory:

- 1 x universal pan, 1 x combination grid, 1 x enamel baking tray

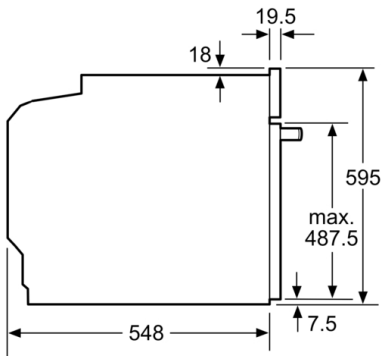
Comfort and Safety:

- Safety lock
Automatic safety shut off residual heat indicator start button door contact switch

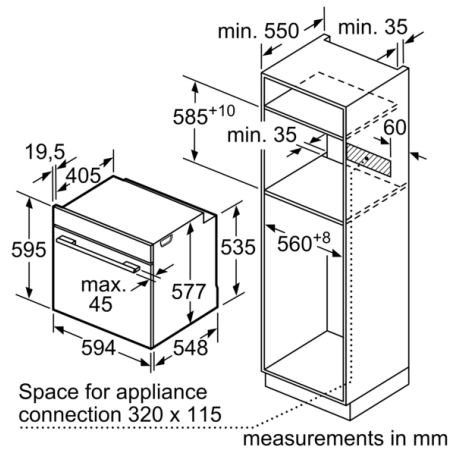
Technical Info:

- Length of mains cable: 120 cm
- Total connected load electric: 3.6 KW
- Appliance dimension (hxwx): 595 mm x 594 mm x 548 mm
- Niche dimension (hxwx): 560 mm - 568 mm x 585 mm - 595 mm x 550 mm
- "Please reference the built-in dimensions provided in the installation drawing"
- Nominal voltage: 220 - 240 V
- Full glass inner door
- Bar handle
- Maximum window temperature 40° C
- Energy efficiency rating (acc. EU Nr. 65/2014): A+
Energy consumption per cycle in conventional mode: 0.87 kWh
Energy consumption per cycle in fan-forced convection mode: 0.69 kWh
Number of cavities: 1 Heat source: electrical Cavity volume: 71 l
- We recommend you to choose complementary products within SER8, in order to assure an optimal design combination of your Built-In appliances.
- Temperature range 30 °C - 300 °C
- Number of shelf levels: 5 PC
- Cavity inner surface: enamel anthracite

Series 8, Built-in Oven, 60 x 60 cm, Stainless steel
HBG634BS1



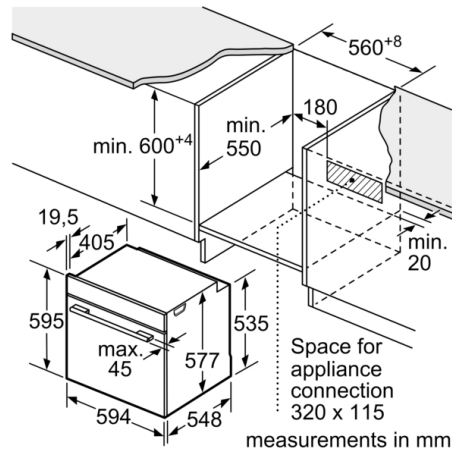
measurements in mm



measurements in mm

If the appliance will be installed underneath a hob, the following worktop thicknesses (including substructure if necessary) must be taken into account.

Hob type	min. worktop thickness	
	fitted	flush
Induction hob	37 mm	38 mm
Full surface Induction hob	47 mm	48 mm
Gas hob	30 mm	38 mm
Electric hob	27 mm	30 mm



measurements in mm