

Snappy Chef[®]



USER MANUAL

Snappy Chef 2-burner Gas Stove

The
CHEAPER – FASTER – SAFER
Way of Cooking



Gas Appliances	2
Safety Information	2
Technical Specifications	4
Installation	5
Operating Instructions	6
Cleaning & Maintenance	8
Warranty	9

Dear customer, congratulations on purchasing your new
SNAPPY CHEF 2-BURNER GAS STOVE.

This appliance was developed to meet the highest quality, performance and design standards.

We know that you will enjoy every moment of this
CHEADER- FASTER- SAFER way of cooking!



Getting The Most Out Of Your Appliance

We suggest a careful read through of this user manual in order to familiarize yourself with all the features of this appliances.

Please pay special attention to the Cleaning & Maintenance section to ensure the longevity and optimal performance of your appliance.

SAFETY INFORMATION



General

- This appliance is not intended for use by persons (including children) with reduced physical, sensory or mental capabilities, or lack of experience and knowledge, unless they have been given supervision or instruction concerning use of the appliance by a person responsible for their safety.
- This item was manufactured for domestic use, and should not be used in an industrial kitchen.
- Children should be supervised to ensure that they do not play with the appliance.
- Never leave the appliance unattended while it is operating.
- Do not drop heavy objects on the stove.
- Do not place metal objects, mobile phones or devices on the appliance.
- Do not move the gas stove while it is cooking.
- Do not immerse the gas stove in water. To clean the surface, wipe with a damp cloth.
- Do not put the appliance in a dishwasher.
- Do not use a steam cleaner to clean the appliance.
- Never touch the appliance with wet hands.

- Do not touch the cooking surface during or after cooking because the surface will be hot.
- Do not move the appliance around by pulling on the gas pipe.
- If the gas pipe is damaged it must be replaced by a qualified person in order to avoid a hazard.

Breakage

- WARNING – If the surface is cracked, switch off the appliance to avoid the possibility of physical harm or gas leakage.
- If the glass top breaks or cracks, be careful not to cut yourself. Switch the appliance off and send it in to a Snappy Chef Service Centre to be repaired.
- Do not open the gas stove.
- Never try to repair the appliance yourself. Repairs must only be performed by qualified experts.

Fire

- Switch off the gas supply.
- Smother the flames with a blanket or damp cloth.
- Burns and injuries are usually caused by picking up the burning pan and rushing outside with it.
- Do NOT use water to extinguish an oil or fat fire.

Smell Gas...?

- Switch off the gas supply.
- Extinguish all naked flames.
- Do not operate any electrical appliances.
- Ventilate the area.
- Check for leaks as detailed below.
- If odour persists, contact your nearest Snappy Chef Service Centre for assistance.

Checking For Gas Leaks

- After connecting the gas pipe to the gas stove test for gas leaks by putting soapy water on the connection. If bubbles appear, the fitting is not secure, and that gas is leaking. Tighten the connection and test again with soapy water.
- Check for gas leaks whenever a new or re-filled gas bottle is used for the first time.

Size	294 x 520 x 100mm	
Cut-out Sizes	270 x 480mm	
Weight	7.5 kg	
Finish	Tempered Glass-top Black Cast-iron Grate	
Type of Ignition	Striker powered by a R29P / D 1.5V battery Battery not provided	
Technical	Front burner-	2.4 kW
	Back burner-	1.8 kW
Ratings	Gas Type	LPG only
	Gas Pressure	2800 Pa
	Consumption	304.8 g/h
	LPGASA Permit	1288-1/2-RSA-12-A
Assignment	Model	NY-QB2014
	SKU	SCG003
	Barcode	0763320103027

Snappy Chef 2-burner
Gas Stove
SKU- SCG003





Free Standing Use

- Be sure to place the appliance on a flat, level and dry surface.
- Do not block the ventilation holes of the appliance. This could lead to overheating. Place at least 70mm from walls or other objects.
- Do not place the gas stove near appliances that is sensitive to excessive or open heat sources.
- Make sure that the appliance is not standing on the gas pipe.

Counter-top Installation

- When installing into a counter top, ensure at least 70mm beneath stove for proper ventilation.
- When placing a Snappy Chef 2-burner Gas Stove next to another sunken object, e.g. second stove top, wash-up basin, a gap of 100mm is recommended for safe installation.
It is also suggested that a gap of no smaller than 50mm between the back wall, and stove top exists.
- The Snappy Chef 2-burner Gas Stove must be installed by a registered LP gas installer; all registered installers are issued with a card carrying their registration number. Ask to be shown this card before allowing the installation. The appliance must be installed in accordance with the requirements of SANS 10087-1 and any fire department regulations and/or local bylaws applicable to the area. If in doubt check with the relevant authority before undertaking the installation.
- Upon completion of the installation, the installer is required to explain the operational details of the appliance together with the safety instructions. You will be asked to sign acceptance of the installation and be provided with a completion certificate. You should only sign for acceptance when the installation is completed to your satisfaction. Failure to comply with the above will render the warranty invalid.
- Gas-pressure Regulator. This appliance requires an operating pressure of 2.8 kPa at the appliance. A suitable LPG regulator that complies with the requirements of SANS 37 must be installed.
- It is strongly recommended that you install an electric extraction fan for extra ventilation in the room. If installing an extractor fan, the distance from the working top to the hood should be not be less that 650mm.
- Ensure good ventilation in the room where you install the gas stove.

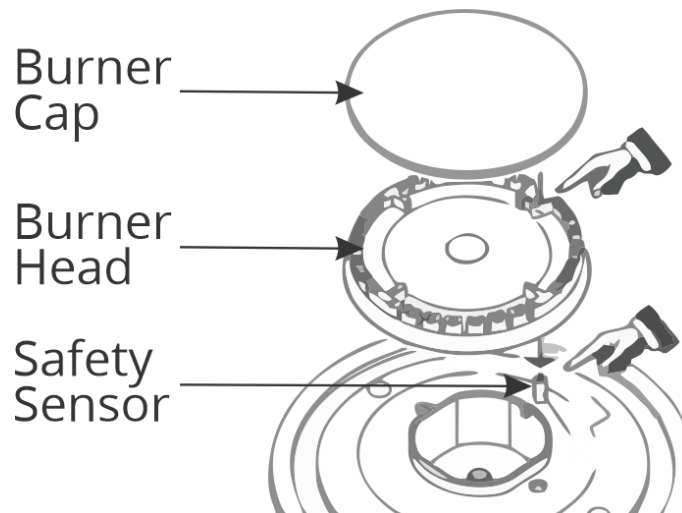
- Make sure the battery is installed correctly on the bottom of the stove in the battery slot.

OPERATING INSTRUCTIONS

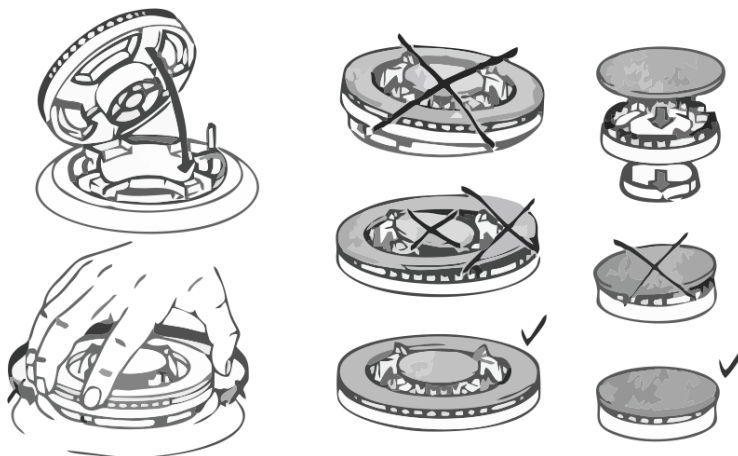


First Use

- Place a battery (not supplied) in the battery slot at the bottom of the stove to operate the striker.
- Place the burner head (see picture) on the gas stove so that it fits correctly onto the safety sensor. Then fit the burner cap on top (see picture).



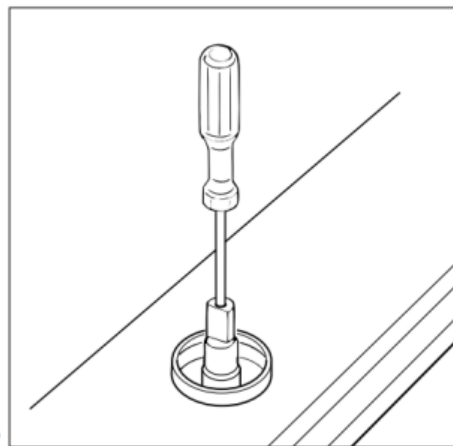
- Ensure all items balance correctly to ensure proper gas flow and burning.



- Place the cast-iron grate on the stove, and ensure it fits into the slots on the gas stove to keep it in place.
- Ensure the flame spreads to all burner ports when the burner is lit with the gas tap set to the minimum position. If some ports do not light, adjust the flow rate as detailed below.
- Secondly, ensure the burner remains lit when the gas tap is turned quickly from the maximum to the minimum position. If the burner does not remain lit, adjust the flow rate as detailed below.

Adjusting The Flow Rate

- Ignite the relevant burner, and set to the minimum position.
- Remove the knob.
- Using a screwdriver (3mm Ø), turn the screw inside the tap to increase the gas flow as desired.



Normal Use

- When all fittings have been completed, open the gas bottle.
- Choose your preferred burner and press the knob downwards- to activate the gas flow and sticker both. Turn the knob counter-clockwise to the first position to set the gas flow.
- Keep the knob pressed-in and in the first position until the flame burns continuously.
- To use on a lower setting, turn the knob counter-clockwise position.
- To switch off, turn the knob in a clockwise position to the top.
- The Snappy Chef 2-burner Gas Stove is fitted with a safety valve sensor to stem the gas flow once the flame has died.



General Cleaning

- Appliances must be cleaned at least once weekly.
- Do not immerse the appliance in water. Clean surface by using a damp cloth and a non-abrasive soap solution.
- Before storing the appliance make sure it is clean and dry.
- Warranty will be voided if these cleaning instructions is not adhered to.



Snappy Chef offers a 24-month limited walk-in repair warranty on all appliances. Limitations include coverage of only working parts, which excludes glass-tops and base covers.

*Additional limitations may apply to products categorized as domestic.

Exchange Policy

Gas Appliances

Any gas appliances proven to be faulty, not working, or damaged with-in seven (7) work days from purchase will be exchanged for new appliances for the same make and model. No original invoice- no exchange.

Warranty Policy

Domestic Gas Appliances

In addition to the walk-in 7-day exchange option on all gas appliances, Snappy Chef will guarantee all working components of the Snappy Chef gas appliances for a period of twenty four (24) months.

This excludes replacement of:

- the glass-top
- the base cover
- and any part damaged by negligence and/or misuse.

Important Note

Should any indication of industrial use be found when repairs are being made, the warranty period will default to 3 months.

Any appliances submitted for repairs, found to have been neglected in terms of cleaning & maintenance WILL NOT be considered for repairs under warranty.

Full warranty terms available on snappychef.co.za/warranty-policy

Contact Details

Snappy Chef® is a registered trademark of and all products are manufactured,
branded and packed for

Snappy Chef Trading (Pty) Ltd

2017/087902/07

P.O. Box 100499
Moreleta Plaza
South Africa
0167

012 940 8196
info@snappychef.co.za

www.snappychef.co.za

This document is subject to the general disclaimer as found at
snappychef.co.za/terms-of-service, and may be altered or deemed invalid
without prior notice.