

**Series 8, Warmer Drawer, 60 x 14 cm,  
Stainless steel  
BIC630NS1**



**The multifunctional warming drawer for the 14 cm niche: for pre-heating plates, keeping food warm and low temperature cooking.**

- **Cleaning convenience:** easy-to-clean hotplate made of tempered glass.

---

**Technical data**

Built-in / Free-standing : Built-in

Color / Material Front : Stainless steel

Maximum number of plates : 12

Maximum number of espresso cups : 64

Dimensions : 140 x 594 x 548 mm

Dimensions of the packed product (HxWxD) : 210 x 660 x 660 mm

Min. required niche size for installation (HxWxD) : 140 x 560 x 550 mm

Time control : No

Fuse protection : 10 A

Voltage : 220-240 V

Frequency : 60; 50 Hz

Plug type : GARDY plug w/ earthing

Color / Material Front : Stainless steel

Required cutout/niche size for installation (in) : x x

Dimensions of the packed product : 8.26 x 25.98 x 25.98

Net weight : 34.000 lbs

Gross weight : 38.000 lbs

Length electrical supply cord : 150.0 cm

Min. required niche size for installation (HxWxD) : 140 x 560 x 550 mm

Dimensions : 140 x 594 x 548 mm

Dimensions of the packed product (HxWxD) : 210 x 660 x 660 mm

Net weight : 15.4 kg

Gross weight : 17.4 kg



4 242002 813851

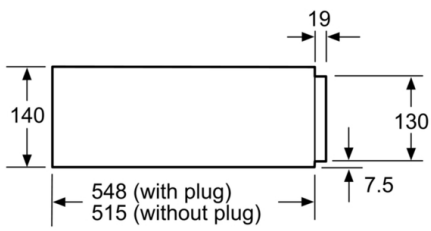
**Series 8, Warmer Drawer, 60 x 14 cm,  
Stainless steel  
BIC630NS1**

**The multifunctional warming drawer for the  
14 cm niche: for pre-heating plates, keeping  
food warm and low temperature cooking.**

---

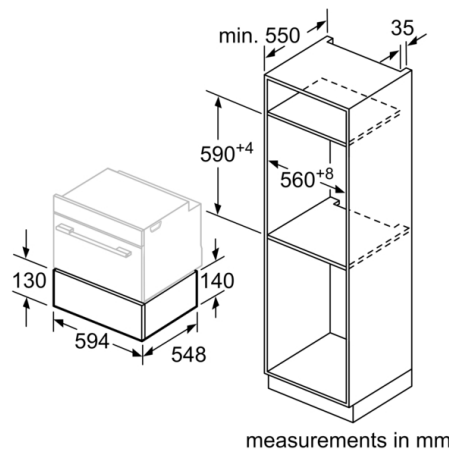
- Heating plate made of toughened glass
- Temperature control in 4 levels: ca. 30°C - 80°C (glass surface temperature)
- Max. loading espresso cups: 64 PC or Max. loading plates: 12 PC

**Series 8, Warmer Drawer, 60 x 14 cm,  
Stainless steel  
BIC630NS1**



Compact ovens with an appliance height of 455 mm can be installed above a warming drawer. An intermediate floor is not required.

measurements in mm



measurements in mm