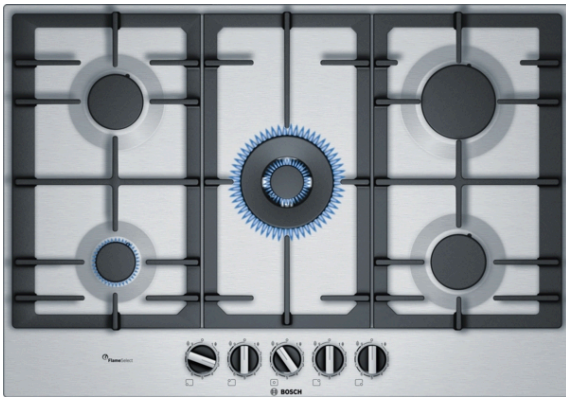


**Series 6, Gas Hob, 75 cm, Stainless steel
PCQ7A5B90Z**



- **FlameSelect:** for a precise adjustment of the flame in nine defined levels.
- **Continuous cast-iron pan support:** for high firmness and stability of cookware.
- **Sword knobs:** for an ergonomic control.
- **Surface colour:** elegant stainless-steel design.
- **FlameSelect:** for a precise adjustment of the flame in nine defined levels.

Technical data

Product name/family : gas hob w integrated controls
 Construction type : Built-in
 Energy input : Gas
 Total number of positions that can be used at the same time : 5
 Type of control setting devices : sword knobs
 Min. required niche size for installation (HxWxD) : 45 x 560-562 x 480-492 mm
 Width of the appliance : 750 mm
 Dimensions of the packed product (HxWxD) : 145 x 793 x 597 mm
 Net weight : 13.8 kg
 Gross weight : 15.3 kg
 Residual heat indicator : without
 Location of control panel : Hob front
 Basic surface material : Stainless steel
 Color of surface : Stainless steel
 Length electrical supply cord : 100 cm
 Knob Material : Plastic
 Sealed Burners : No
 Type of pan support : Elongated cast iron pan support
 Power of heating element (kW) : 1 kW
 Power of 3rd heating element (kW) : 1.75 kW
 Power of 5th heating element (kW) : 3 kW
 Connection Rating : 1 W
 Gas connection rating : 11500 W
 Fuse protection : 3 A
 Voltage : 220-240 V
 Frequency : 60; 50 Hz
 Main colour of product : Stainless steel
 Energy input : Gas
 Gas type : Liquidgas G30,31 28-30/37 mbar
 Alternative gas type : Nat gas H/E/(L) 20 (25) mbar
 Plug type : No plug (electrical connection by electrician)
 Appliance Dimensions (h x w x d) (in) : + x x
 Dimensions of the packed product : 5.70 x 23.50 x 31.22
 Net weight : 31.000 lbs
 Gross weight : 34.000 lbs
 Total number of positions that can be used at the same time : 5
 Length electrical supply cord : 100 cm
 Min. required niche size for installation (HxWxD) : 45 x 560-562 x 480-492 mm
 Dimensions of the packed product (HxWxD) : 145 x 793 x 597 mm
 Net weight : 13.8 kg
 Gross weight : 15.3 kg



Series 6, Gas Hob, 75 cm, Stainless steel PCQ7A5B90Z

Design:

- Stainless steel

Comfort and Safety:

- Step valve 9 steps
- Sword Knobs
- Ignition via control knobs
- Cast iron pan supports

Power and size:

- 5 PC
- dual-circuit burner
- Left rear: Standard burner 1.75 KW
- Right rear: High speed burner 3 KW
- Left front: Economy burner 1 KW
- Right front: Standard burner 1.75 KW

Environment+safety:

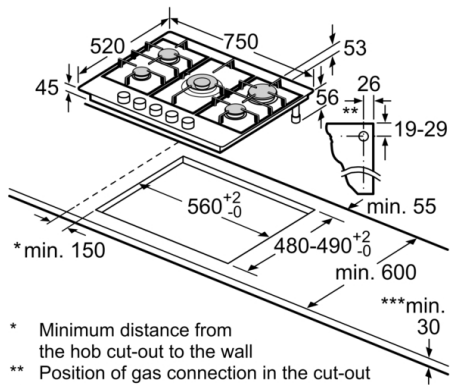
- Flame failure safety device
- Preset of liquid gas (28-30/37mbar)

Measurements

Accessories

- Natural gas nozzles (20 mbar) included

**Series 6, Gas Hob, 75 cm, Stainless steel
PCQ7A5B90Z**



- * Minimum distance from the hob cut-out to the wall
 - ** Position of gas connection in the cut-out
 - *** With fitted oven underneath, possibly more; see space requirements for the oven
- measurements in mm